

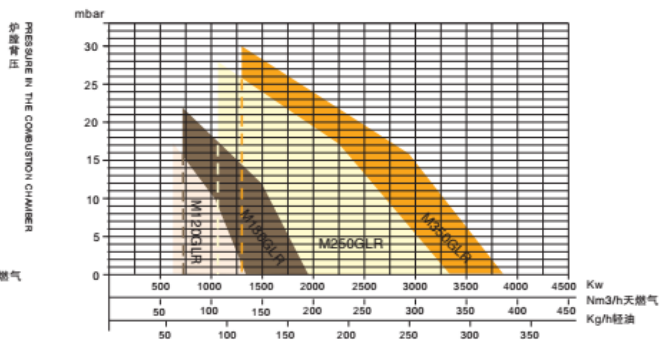
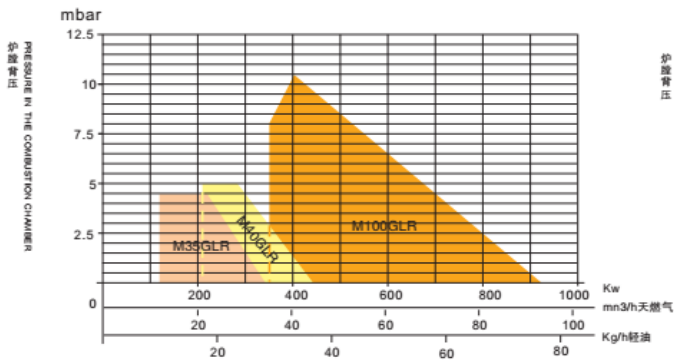
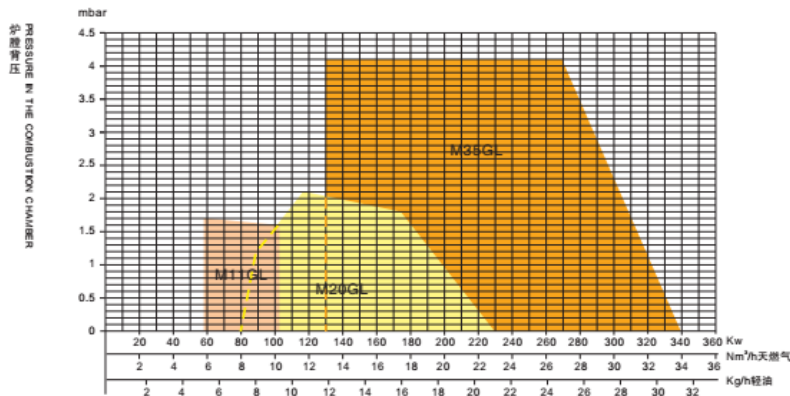
Dual Fuel Burner Light Oil/Gas One-Stage



Technical data

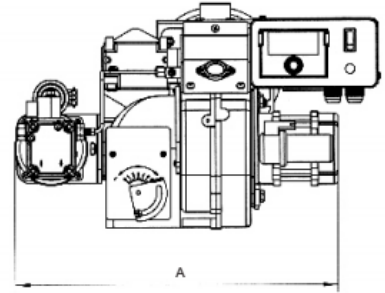
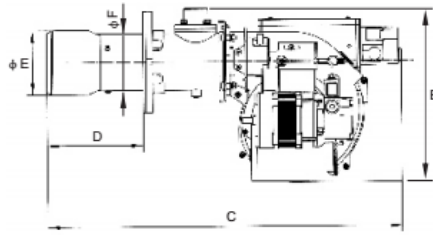
Model	Output max.		Output min.		Flow rate max.	Flow rate min.	Power supply	Motor	Packing Size	Weight
	KW	Nm ³ /h	KW	Nm ³ /h	Kg/h	Kg/h				
M-11GL	103	10.3	59	5.8	8.7	4.9	230V/50Hz	0.15+0.1 1	600×480×340	25
M-20GL	230	23	80	8	19.4	6.7		0.37+0.1 1	850×550×400	42
M-35GL	340	35	130	13	30	11		0.37+0.1 5	900×550×400	45

curve diagram

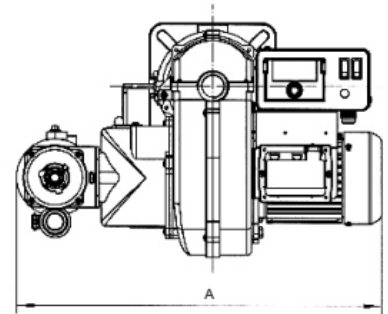
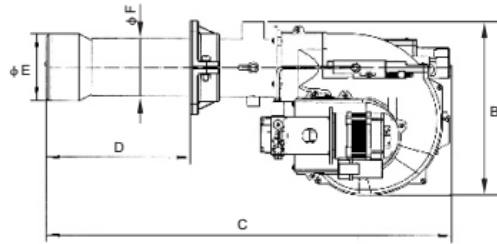


Overall dimensions

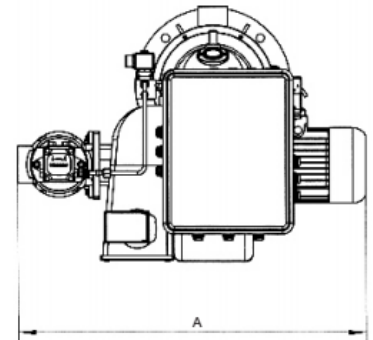
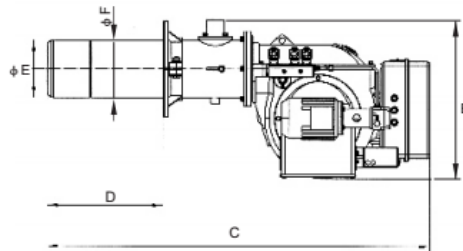
M-11GL



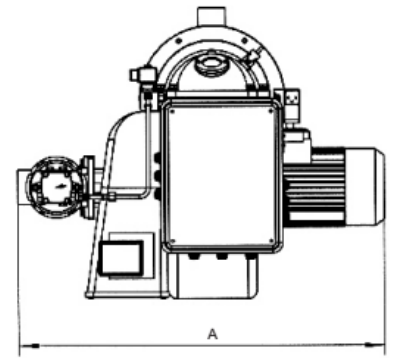
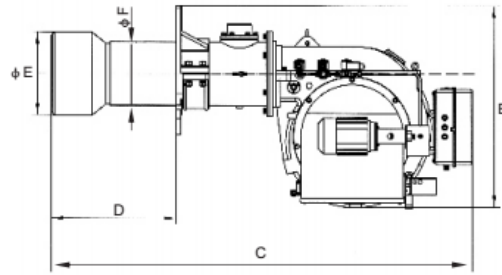
M-20、35GL



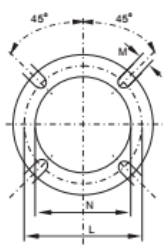
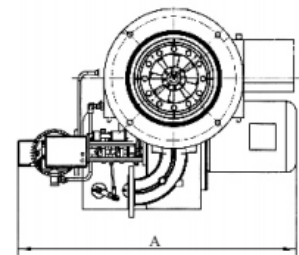
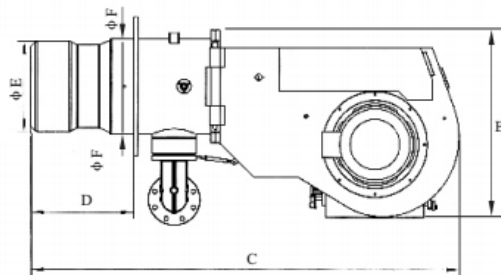
M-40、100、120GLR



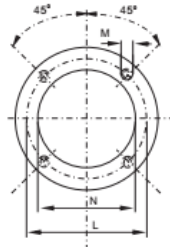
M-180, 250, 350GLR



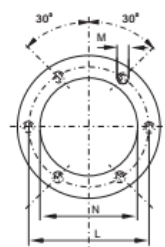
M-450, 550, 650, 1000GLS /M



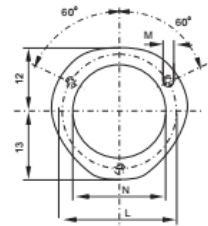
NO.1



NO.2



NO.3



NO.4

Model	A	B	C	D	E	F	L mm The size between the installation holes		N φmm min	M	NO.
	Width mm	Height mm	Length mm	Length of blast tube mm	φmm Head diameter	φmm Cylinder diameter					
M-11GL	475.4	292.5	595	40-160	95	95	130	155	115	M8	1
M-20GL	537	345	807	120-280	135	114	170	206	145	M10	1
M-35GL	537	354	858	140-300	150	135	200	244	160	M12	1
M-35GLR	537	354	858	140-300	150	135	200	244	160	M12	1
M-40GLR	596.5	435	1131	140-322	160		233		170	M12	2
M-100GLR	717	530	1285	175-380	195		276		205	M16	2
M-120GLR	809	645.5	1501	195-460	218		339		240	M16	2
M-180GLR	810	675	1700	330-640	290	244	400		300	M18	3

M-250GLR	1033	860	1805	320-500	356	275	480	510	370	M20	4
M-350GLR	1100	860	1805	320-550	356	275	480	510	370	M20	4
M-450GL S /M	962	740	1540	335	290	320	400		330	M16	2
M-550GL S /M	965	780	1660	399	350	380	480		390	M16	2
M-650GL S /M	1125	1075	1645	430	480	470	550		500	M16	3
— M -100 OGL S /M	<u>1230</u>	<u>1094</u>	<u>1670</u>	<u>430</u>	<u>480</u>	<u>470</u>	<u>550</u>		<u>500</u>	<u>M16</u>	<u>3</u>

Protection probe.Manual adjusting air gate to control for one stage

UV photocell,servo motor to control for two stage and modulating.

Able to supply the low calorific valve fuel,low gas pressure & light oil (Heavy oil)dual fuel burners and oil & gas mixing combustion burner.

“N”means the size of the hole on the chamber.

Product link : <https://www.eburn-burner.com/?p=1233>