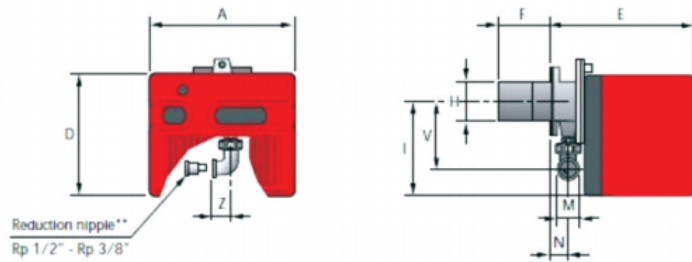


Gas Burner/FS5, FS10, FS20

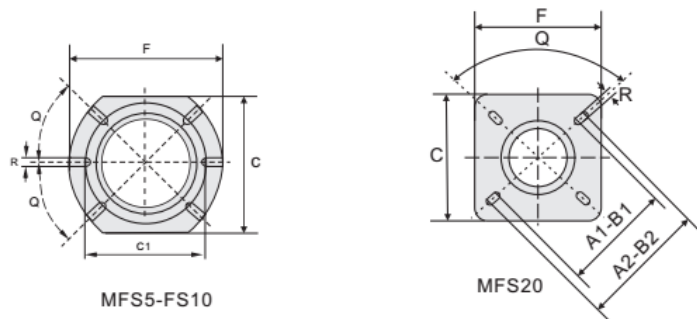


Model	KW	Mcal/h	Combustion Type	Motor KW	Photocell	Power
M-FS5	23-58	20-50	??? ON/OFF	0.09	???? Detection Probe	230V / 50Hz
M-FS10	42-116	36-100	??? ON/OFF	0.09	???? Detection Probe	230V / 50Hz
M-FS20	81-220	70-189	??? ON/OFF	0.15	???? Detection Probe	230V / 50Hz

Burner size chart



型号 Model	A	D	E	F	H	I	M	N	V	Z
M-FS5	272	233	295	100	91	180	Rp1/2"	48	138	28
M-FS10	305	262	346	110	105	204	Rp3/4"	61	142	33
M-FS20	350	298	389	120	125	230	Rp3/4"	67	152	33



型号Model	A1	A2	B1	B2	C	C1	F	Q	R
M-FS5	-	-	-	-	140	130	170	45	10
M-FS10	-	-	-	-	160	130	185	45	11
M-FS20	155	200	155	200	170	-	170	90	11

Product link : <https://www.eburn-burner.com/?p=1350>